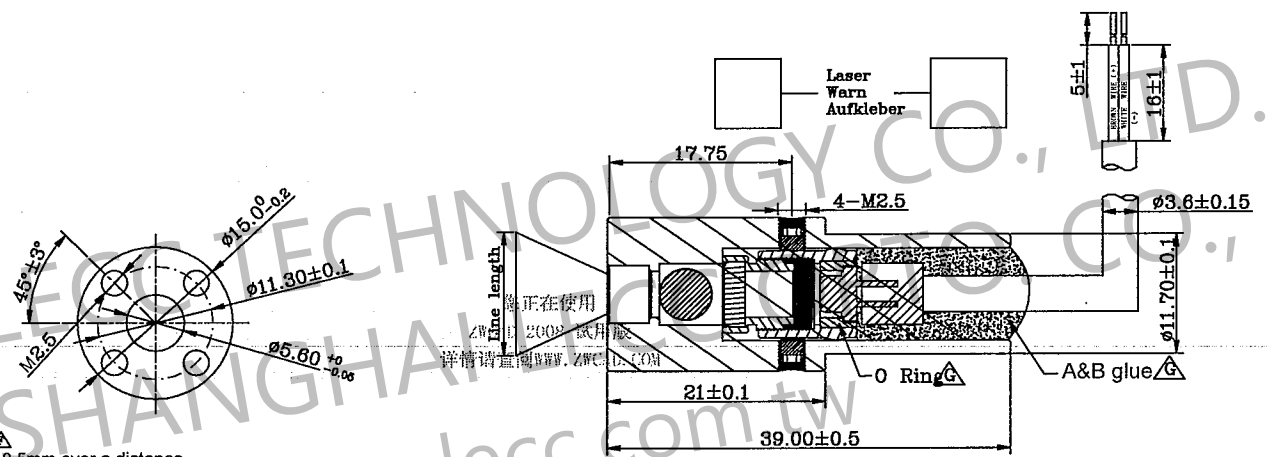


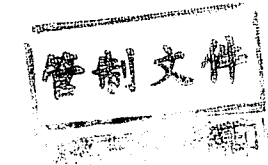
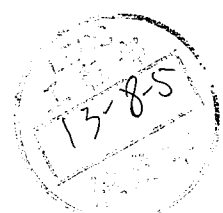
SPECIFICATION:

SYMBOL	PARAMETER	MIN.	TYPICAL	MAX.	UNIT
PO	CW OPTICAL POWER	0.8		1.0	mW
IOP	OPERATING CURRENT			50	mA
VOP	OPERATING VOLTAGE (battery operated)	4		6	V
λP	WAVELENGTH AT PEAK EMISSION		650		nm
TOP	OPERATING TEMP. RANGE	-10		50	°C
TSTG	STORAGE TEMP. RANGE				°C
SPOT SIZE	BEAM AT 700 mm				mm
DRIVING CIRCUIT	APC CIRCUIT				
LENS	GLASS LENS				

更改 REV.	设定内容 MODIFICATION	日期 DATE	修改 DRAW	核准 APPROVE	工程文件变更 ECN NO.
A	First edition	2007/10/24	J.Y.Y	吴祖飞	NC-08061901
B	Change of the LD: 40 degree to 50 degree	2008/07/17	J.Y.Y	吴祖飞	EC-08071701
C	Change the terminal graphic	2008/07/25	J.Y.Y	吴祖飞	EC-08072501
D	Change the inspection standard and add Note 8	2008/09/26	J.Y.Y	吴祖飞	EC-08092601
E	Change the inspection standard and note 4.	2009/02/09	J.Y.Y	吴祖飞	EC-09020901
F	Change the copper tube MMUR453C01 to MMUR713C01.	2009/12/22	J.Y.Y	吴祖飞	EC-09122201
G	Change the housing. Adding four 2.5 screws.	2009/12/22	J.Y.Y	吴祖飞	EC-09122201
H	Add Note 9 and 10.	2009/12/22	J.Y.Y	吴祖飞	EC-09122201
I	Change the spcition standard: +/-1mm to +/-0.5mm	2009/12/22	J.Y.Y	吴祖飞	EC-09122201
J	Add a "o ring"; Change glue:8008 glue-->A B glue	2010/12/07	蔡倩	吴祖飞	EC-10120701
K	NOTE中增加I项	2013/08/05	FP	FP	EC-13080501



- Note:
- Laser Level: Class 1M
 - The line centre is not allowed to differ more than +/-0.5mm over a distance of 450mm from the laser centre.
 - Illumination: 70~80 lux
Distance 70cm Line width ≤ 1.0mm
At the same time in the 500 Lux illumination of the surrounding environment is visible.
 - Line length Distance 57.6~63cm 45cm
 - Fan angle: 65 degrees +5/-0
 - Cable diameter: 3.6±0.15
 - Label content:
(1). Class 1M
(2). Laser paramete
For example: operating voltage, consumption of current, wave length and so on.
 - Laser working life > 10000 hours
 - After adjusting the straightness, the four screw apertures can't be readjusted once they are fixed by screw glue.
 - Adjustment:
Adjust four screws to force the inside modules then change its position. Do fine-tuning of the position between inside module and cylindrical lens to meet the customer's demand of straightness, then fix the screw by gluing.
 - All material must be approved by ROHS & REACH



DIMENSION IN mm [Inch]		产品规范 PROD. SPEC.		LECC	
TOLERANCE UNLESS OTHERWISE SPECIFIED		包装规范 PKG. SPEC.			
X± 0.2	X*± 2			FD66006510A	
.XX± 0.10	.X*±				
.XXX±					
名称 TITLE M-5.2-15X39				CUSTOMER DRAWING	
审核 APPROVE	核校 CHECK FP	制图 DRAW FP	角法 PROJ. 比例 SCALE 2:1	张数 SHEET 1/1	更改 REV. H
		2013/08/05		图纸 SIZE A4	

本文件具有保密性及智慧财产权所有，未经同意，重製散布着，本公司将保留其法律追溯权