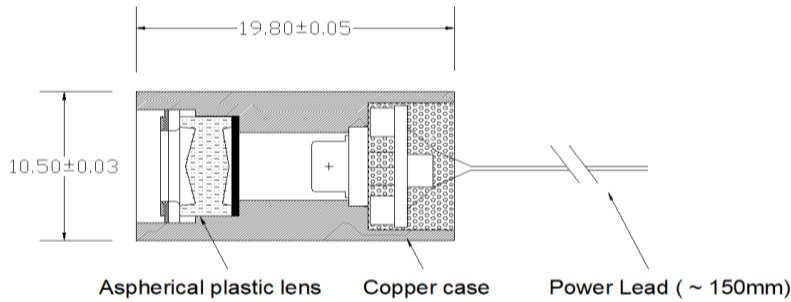


# DIODE LASER MODULE

## LQA serial



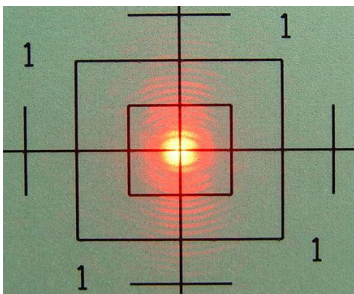
### Feature -

- Auto optical output power control
- Low operating power consumption
- Polarity reverse protected
- Focus adjustable by user
- High temperature diode is available
- Saving cost diode (T3 type) is available
- Case Material : Copper
- Operation Voltage : 2.7 to 5V DC

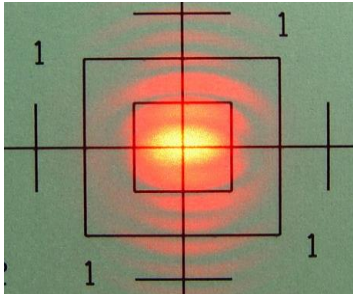
### General Specification -

|                             |   |
|-----------------------------|---|
| Max. Optical output Power   | ~ 30% of max. diode power (w/o front cover)             |
| Optical output Power        | Within range +0 to -10% of customer assigned power      |
| Wavelength                  | <i>See available laser diode reference</i>              |
| Diode Power                 | <i>See available laser diode reference</i>              |
| Operation Voltage           | 2.7 to 5V DC  |
| Operation Temperature       | -10 °C ~ 40°C   |
| Beam Diameter               | 3mm   |
| Beam Divergence             | <1.5mrd   |
| Bore Sighting               | <15mrd  |
| Operating Current at 25°C   | Refer to laser diode                                    |
| Optics                      | <b>Aspherical plastic Lens</b>                          |
| Case Material               | Copper  |
| MTTF (Mean Time To Failure) | 10000 hrs ( for standard type), 3000 hrs ( for T3 type) |

Spot size at 3 meter (unit : cm)



Spot size at 10 meter (unit : cm)



**Available laser diodes -**

|       | 5mW | 7mW | 10mW | 20mW | 30mW | 40mW | 50mW |
|-------|-----|-----|------|------|------|------|------|
| 405nm | ●   |     | ●    | ●    |      |      | ●    |
| 455nm |     |     |      |      |      |      | ●    |
| 515nm |     |     | ●    | ●    | ●    |      | ●    |
| 635nm | ●   | ●   | ●    | ●    | ●    |      |      |
| 650nm | ●   | ●   | ●    | ●    | ●    |      |      |
| 660nm |     |     |      |      |      | ●    |      |
| 670nm |     | ●   | ●    |      |      |      |      |
| 680nm |     |     |      |      | ●    |      |      |
| 780nm | ●   |     | ●    | ●    |      |      | ●    |
| 808nm |     |     |      |      |      |      | ●    |
| 830nm |     |     |      |      | ●    | ●    |      |
| 850nm | ●   |     |      |      | ●    |      | ●    |
| 980nm |     |     |      |      |      |      | ●    |

MTTF > 10,000Hrs